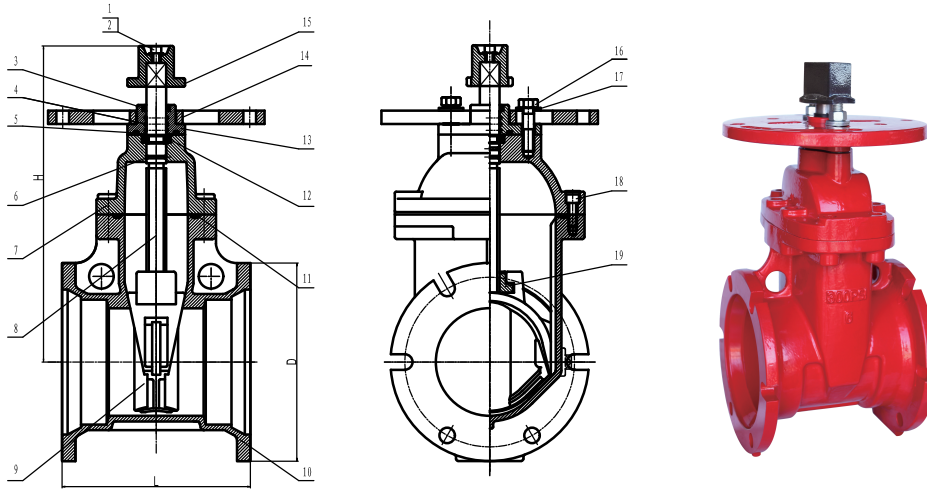


# AWWA C515 Mechanical Joint Resilient NRS Gate Valve with Post Plate 300PSI (JKDZ45MPF)



### MATERIAL SPECIFICATION

| PART NO. | Description          | Material Specification        | Options                 |
|----------|----------------------|-------------------------------|-------------------------|
| 1        | Flat Washer          | Stainless Steel 304           | Galvanized Steel        |
| 2        | Hexagon Socket Screw | Stainless Steel 304           | Galvanized Steel        |
| 3        | Sealing Ring         | EPDM ASTM D2000               |                         |
| 4        | O-Ring               | EPDM ASTM D2000               |                         |
| 5        | Sealing Ring         | EPDM ASTM D2000               |                         |
| 6        | O-Ring               | EPDM ASTM D2000               |                         |
| 7        | Bonnet               | Ductile Iron ASTM A536        |                         |
| 8        | Stem                 | Stainless Steel 316           | Stainless Steel 304/431 |
| 9        | Disc                 | EPDM ASTM D2000 +DI ASTM A536 |                         |
| 10       | Body                 | Ductile Iron ASTM A536        |                         |
| 11       | Sealing Ring         | EPDM ASTM D2000               |                         |
| 12       | Retaining Ring       | ASTM B148 C95400              |                         |
| 13       | Gland                | Ductile Iron ASTM A536        |                         |
| 14       | Post Plate           | Ductile Iron ASTM A536        |                         |
| 15       | Wrench Nut           | Ductile Iron ASTM A536        |                         |
| 16       | Bolt                 | Stainless Steel 304           | Galvanized Steel        |
| 17       | Washer               | Stainless Steel 304           | Galvanized Steel        |
| 18       | Hexagon Socket Screw | Galvanized Steel              | Stainless Steel 304     |
| 19       | Stem Nut             | ASTM B148 C95400              | Stainless Steel CF8     |

Note: For special material request other than standard specification, please indicate clearly on the inquiry or order list.

| Item No.    | DN  | Dimensions(Inch) |       |       |
|-------------|-----|------------------|-------|-------|
|             |     | L                | D     | H     |
| JKDZ45MPF03 | 3"  | 7.99             | 7.68  | 12.68 |
| JKDZ45MPF04 | 4"  | 9.02             | 9.13  | 13.46 |
| JKDZ45MPF06 | 6"  | 10.51            | 11.10 | 17.64 |
| JKDZ45MPF08 | 8"  | 11.50            | 13.39 | 21.02 |
| JKDZ45MPF10 | 10" | 12.99            | 15.71 | 25.00 |
| JKDZ45MPF12 | 12" | 14.02            | 17.95 | 28.35 |

- Connection Ends: Mechanical Joint to ANSI/AWWA C153/A21.53
- Working Pressure: 300PSI
- Temperature Range: 32 -176
- Coating: Fusion Bonded Epoxy Coating in accordance with ANSI/AWWA C550